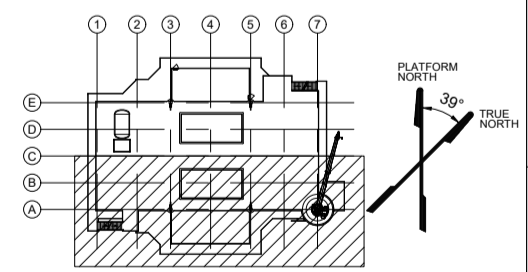


- NOTES:**
1. DIMENSIONS IN MM
 2. LEVELS IN M RELATIVE TO LAT.
 3. ASSUMED HELICOPTER D-VALUE = 22.2m

KEYPLAN



ELEVATION LOOKING NORTH
1:150

01	2023-06-08	JHL	HSP	HSP	NEW ISSUED DUE TO CHANGE OF NAME AND NUMBER
Rev.	Date	Drawn/Design	Checked	Approved	Description

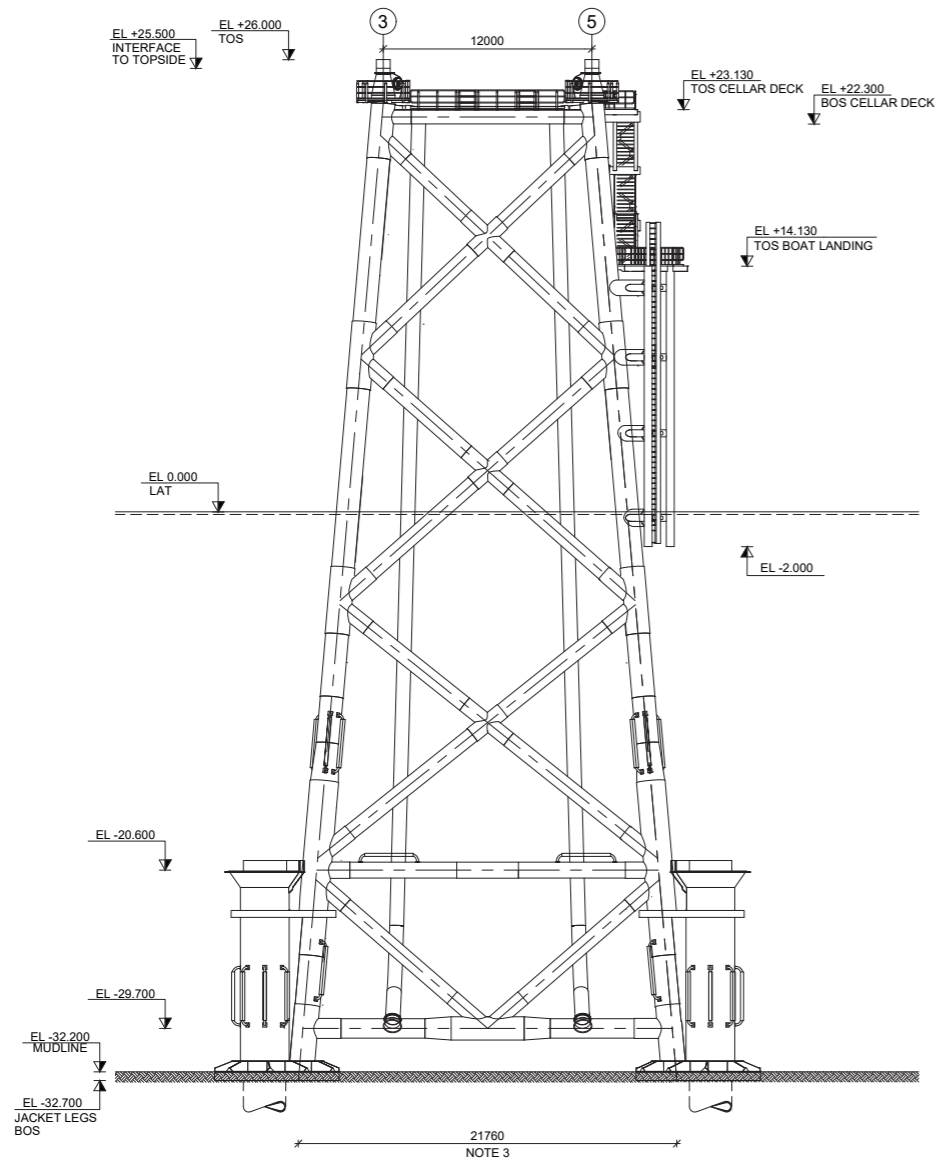
Design
ISC RÅDGIVENDE INGENIØRER • CONSULTING ENGINEERS
 Øster Allé 31 DK-2100 København Ø Phone +45 35 27 88 00 Mail: info@isc.dk

Client
 **Nordseecluster A GmbH**
 Willinghusener Weg 3,
 22113 Oststeinbek, Germany

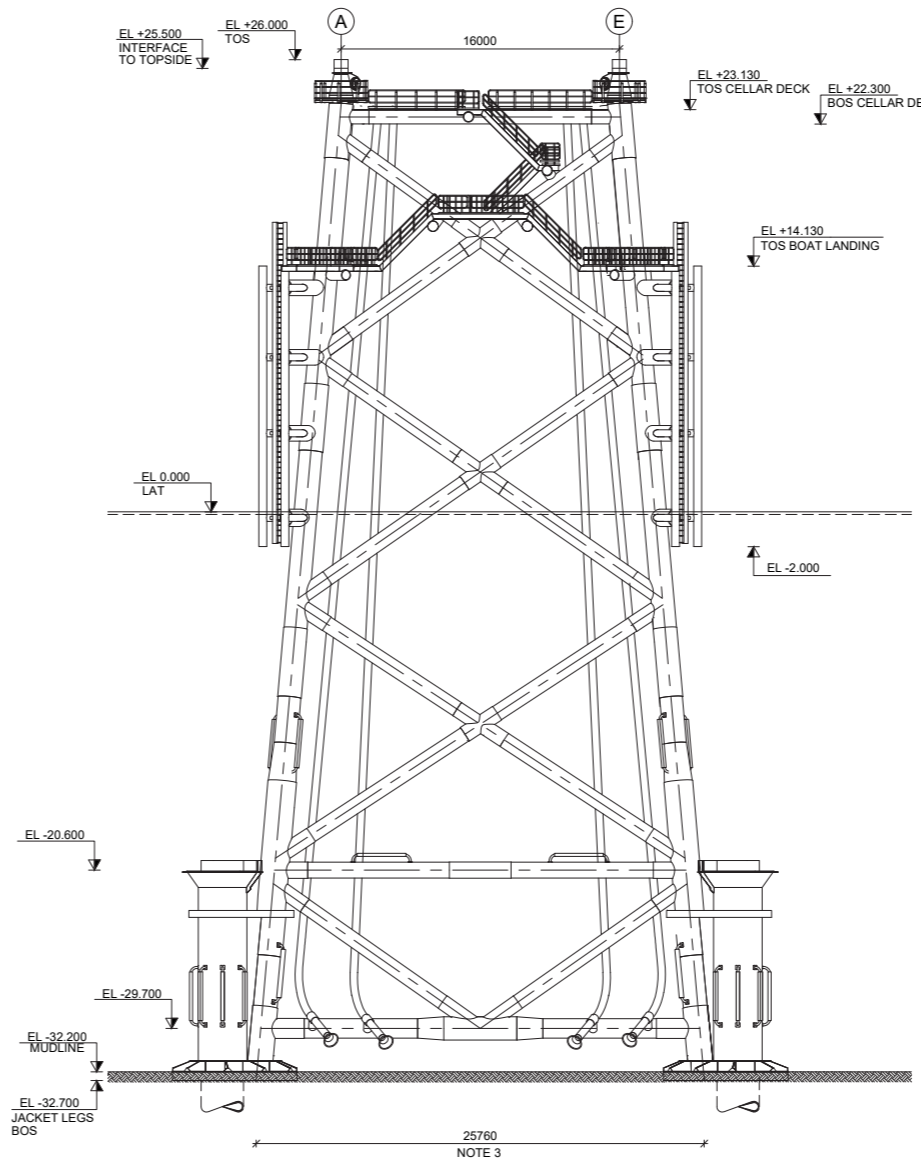
N-3.8 OFFSHORE WIND FARM
 OFFSHORE SUBSTATION (NC200)
 CONCEPTUAL DESIGN, LAYOUT ARRANGEMENT

Size	Project no.	Dwg. no.	Rev.
A1	22100	22100-NC200-ISC-DWG-05-010	01

- NOTES:**
1. DIMENSIONS IN MM.
 2. LEVELS IN M RELATIVE TO LAT.
 3. DIMENSIONS GIVEN AT BOTTOM OF LEG AT ELEVATION -32.700.

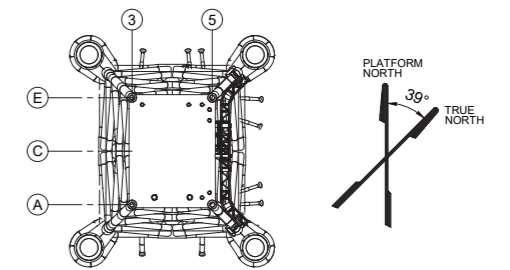


ELEVATION ROW "A"
1:200



ELEVATION ROW "5"
1:200

KEYPLAN



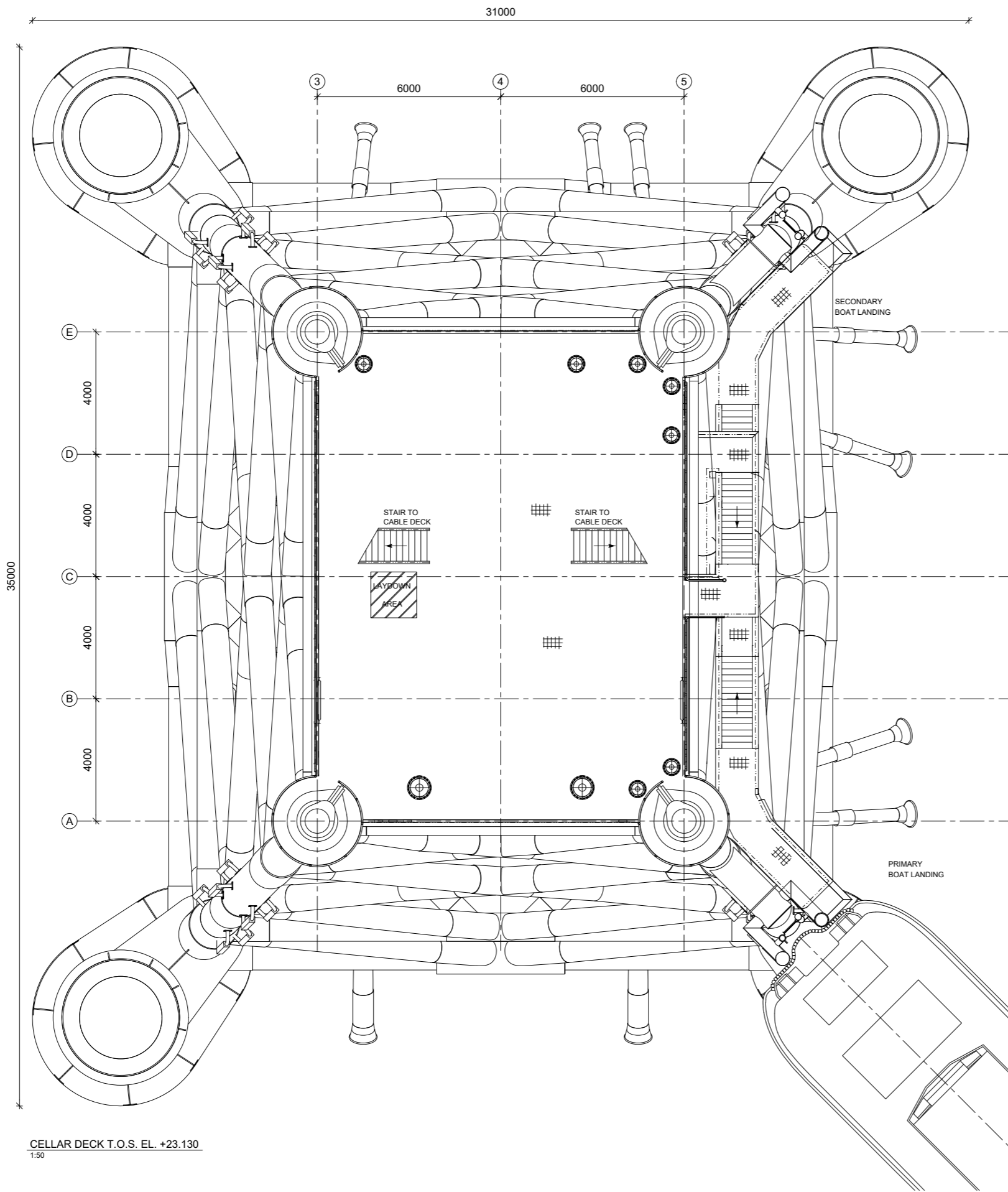
Rev.	Date	Drawn/Design	Checked	Approved	Description
01	2023-06-09	ATRI/ABO	TOL	TOL	NEW ISSUED DUE TO CHANGE OF NAME AND NUMBER

Design
ISC RÅDGIVENDE INGENIØRER • CONSULTING ENGINEERS
 Øster Allé 31 DK-2100 København Ø Phone +45 35 27 88 00 Mail: info@isc.dk

Client
Nordseecluster A GmbH
 Willinghusener Weg 3,
 22113 Oststeinbek, Germany

N-3.8 OFFSHORE WIND FARM
 OFFSHORE SUBSTATION (NC200)
 CONCEPTUAL DESIGN, SUPPORT STRUCTURE

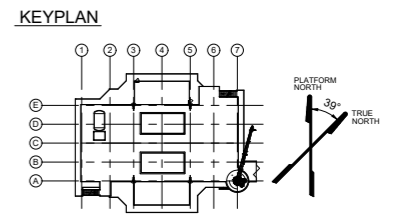
Size	Project no.	Dwg. no.	Rev.
A1	22100	22100-NC200-ISC-DWG-05-020	01



CELLAR DECK T.O.S. EL. +23.130
1:50

NOTES:
1. DIMENSIONS IN MM.
2. LEVELS IN M RELATIVE TO L.A.T.

LEGEND:
1. --- HANDRAIL
2. --- SWING GATE
3. [Grid Pattern] GRATING
4. [Hatched Pattern] LAYDOWN AREA



Rev	Date	Drawn/Design	Checked	Approved	Description
01	2023-05-09	JHL	HSP	HSP	NEW ISSUED DUE TO CHANGE OF NAME AND NUMBER

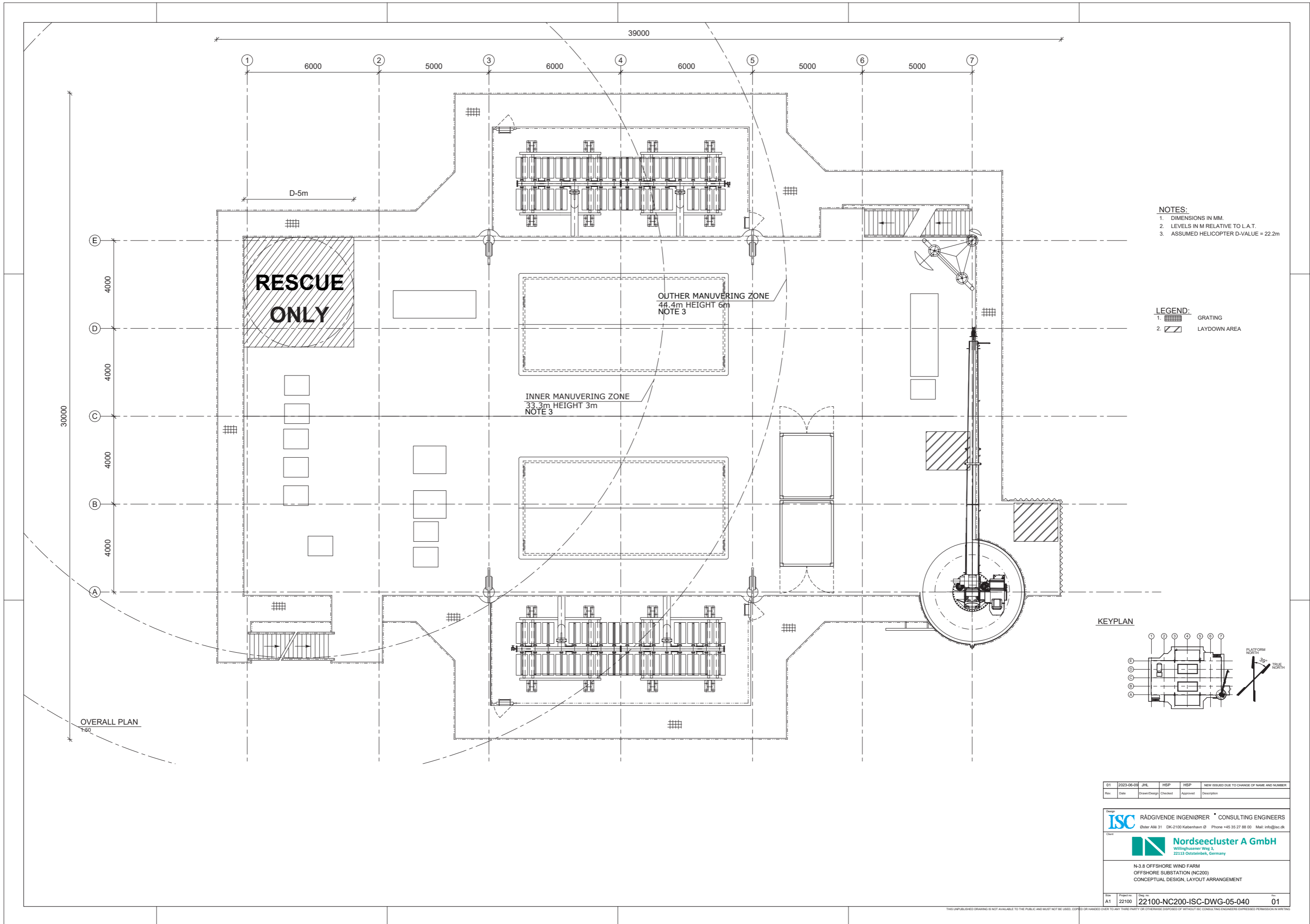
Design: **ISC** RÅDGIVENDE INGENJØRER * CONSULTING ENGINEERS
Øster Allé 31 DK-2100 København Ø Phone +45 35 27 88 00 Mail: info@isc.dk

Client: **Nordsecluster A GmbH**
Willinghusener Weg 3,
22113 Oststeinbek, Germany

N-3.8 OFFSHORE WIND FARM
OFFSHORE SUBSTATION (NC200)
CONCEPTUAL DESIGN, SUPPORT STRUCTURE

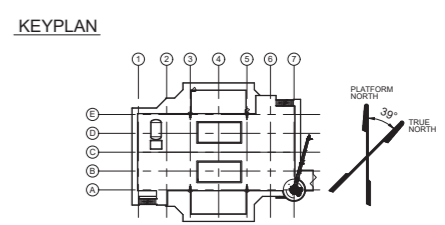
Size	Project no.	Draw. no.	Rev.
A1	22100	22100-NC200-ISC-DWG-05-030	01

THIS UNPUBLISHED DRAWING IS NOT AVAILABLE TO THE PUBLIC AND MUST NOT BE USED, COPIED OR HANDED OVER TO ANY THIRD PARTY OR OTHERWISE DISPOSED OF WITHOUT ISC CONSULTING ENGINEERS EXPRESSED PERMISSION IN WRITING



NOTES:
 1. DIMENSIONS IN MM.
 2. LEVELS IN M RELATIVE TO L.A.T.
 3. ASSUMED HELICOPTER D-VALUE = 22.2m

LEGEND:
 1. GRATING
 2. LAYDOWN AREA



Rev	Date	Drawn/Design	Checked	Approved	Description
01	2023-06-09	JHL	HSP	HSP	NEW ISSUED DUE TO CHANGE OF NAME AND NUMBER

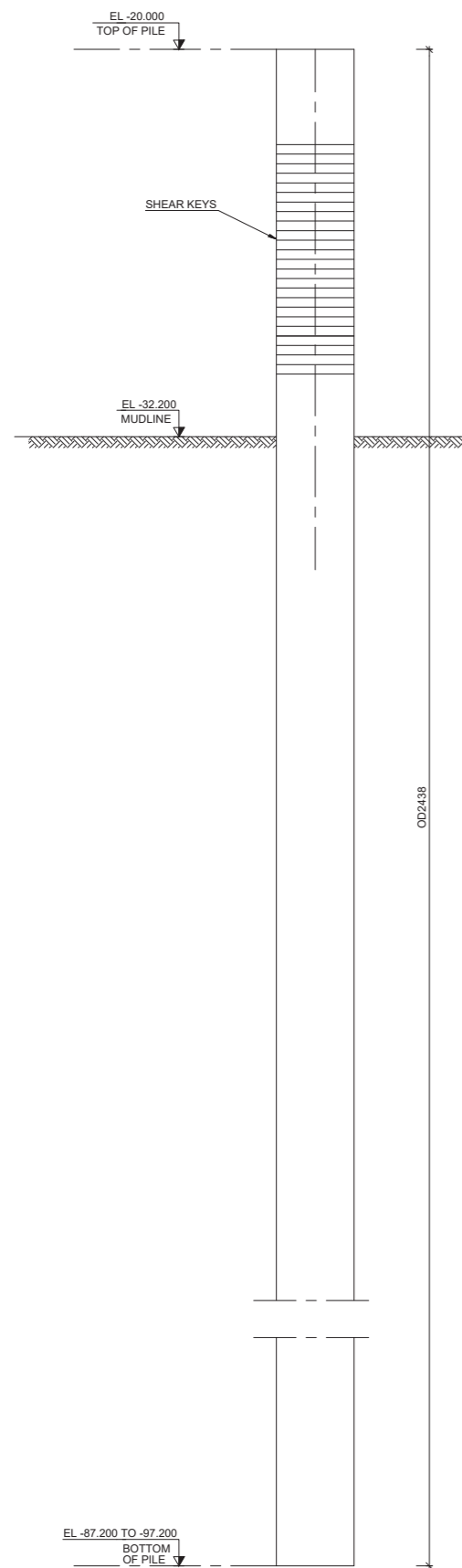
Design: **ISC** RÅDGIVENDE INGENJÖRER * CONSULTING ENGINEERS
 Øster Allé 31 DK-2100 København Ø Phone +45 35 27 88 00 Mail: info@isc.dk

Client: **Nordsecluster A GmbH**
 Willinghusener Weg 3
 22113 Oststeinbek, Germany

N-3.8 OFFSHORE WIND FARM
 OFFSHORE SUBSTATION (NC200)
 CONCEPTUAL DESIGN, LAYOUT ARRANGEMENT

Size	Project no.	Dep. no.	Rev.
A1	22100	22100-NC200-ISC-DWG-05-040	01

THIS UNPUBLISHED DRAWING IS NOT AVAILABLE TO THE PUBLIC AND MUST NOT BE USED, COPIED OR HANDED OVER TO ANY THIRD PARTY OR OTHERWISE DISPOSED OF WITHOUT ISC CONSULTING ENGINEERS EXPRESSED PERMISSION IN WRITING

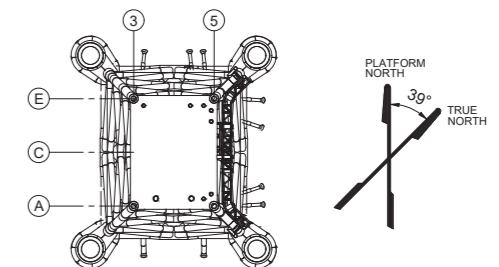


PILE MAKE-UP (4 NOS. REQ'D)
1:100

NOTES:

1. DIMENSIONS IN MM.
2. LEVELS IN M RELATIVE TO LAT.

KEYPLAN



Rev.	Date	Drawn/Design	Checked	Approved	Description
01	2023-06-09	ATR/ABO	TOL	TOL	NEW ISSUED DUE TO CHANGE OF NAME AND NUMBER

Design
ISC RÅDGIVENDE INGENIØRER CONSULTING ENGINEERS
 Øster Allé 31 DK-2100 København Ø Phone +45 35 27 88 00 Mail: info@isc.dk

Client

Nordsecluster A GmbH
 Willinghusener Weg 3,
 22113 Oststeinbek, Germany

N-3.8 OFFSHORE WIND FARM
 OFFSHORE SUBSTATION (NC200)
 CONCEPTUAL DESIGN, SUPPORT STRUCTURE

Size	Project no.	Dep. no.	Rev.
A1	22100	22100-NC200-ISC-DWG-05-050	01